



High performance Network Disk Recorder for Megapixel i-Pro Network Cameras with 9 Serial ATA HDD slots

Key Features


- H.264, MPEG-4 and JPEG multi format
- Up to 64 network cameras can be connected without extra license fee and their images can be recorded simultaneously.
- 200 Mbps high throughput: Best match with Megapixel i-Pro Network Cameras
- Various Recording Modes: Manual, Schedule including Event (Pre/Post), Emergency. Schedule mode includes eight recording programs with individual recording mode for each camera, and 6 time schedules per day.
- Panasonic camera control: Pan/Tilt, Zoom, Focus, Brightness, Preset Position, Auto mode (depending on camera model).
- Audio from i-Pro network cameras can be recorded and played back, G.726 (ADPCM) 32 kbps.
- Cameras can be assigned to one of the 8 groups for easier browsing.
- Flexible playback controls: Goto Date (Jump to specific time/date), Goto Last (Jump to 5 sec. ~ 5 min. before the record end).
- Various display modes: Spot, Quad (16 patterns), Spot Sequence, Quad Sequence (Live).
- Filtered search: Time & Date, Event Type, Camera number.
- VMD search: Motion in a specified area in the recorded images can quickly be searched (works with supported i-Pro cameras and WJ-NT314).
- 2x, 4x Digital zoom (Live/Playback)
- Recorded images can be downloaded to a PC. Downloadable viewer software allows playback of images downloaded from the recorder.
- Various alarm sources include 32x Terminal inputs, 64x Camera alarms, Panasonic Alarm Protocol. Flexible alarm actions include Event recording, E-mail notification, Alarm message, Camera positioning, FTP image transfer, Terminal output, Panasonic alarm protocol output, Buzzer and Indicator.
- 2x built-in network interfaces (10Base-T / 100Base-TX / 1000Base-T) for camera recording and client access
- Up to 16 clients can monitor images and control WJ-ND400 simultaneously.
- FTP client function enables periodic live image transfer or recorded image transfer in response to an alarm.
- Performance measurement function for appropriate recording frame rate setup
- Images recorded in the SD memory card in i-Pro network cameras can be transferred to the recorder automatically even when the recorder is in recording status.

- Setup can be made with the user friendly browser GUI. Multilingual options include English / French / Spanish / Germany / Italian / Russian / Chinese / Japanese / Custom.
- User/Host authentication, 4 programmable user levels, 16 user priorities and User-Camera View/Control partitioning set up for sophisticated user management. Up to 32 user registrations
- Alteration detection and recorded data encryption for data security
- Multi-recorder-Multi-site-system can be made with optional WV-ASM100 i-Pro Management Software.
- Up to 9 Serial ATA HDDs can be installed with the provided canisters. By RAID mode, the HDDs can be removed without interrupting the recording with hot plug support.
- HDD capacity is expandable up to 54 HDD slots (9 HDD slots in the main unit and 5 optional WJ-HDE400 Hard Disk Extension Units each with 9 HDD slots).
- Disk partitioning including Normal, Event, Pre-Event, Copy for flexible record management
- RAID5/6 redundant recording for data security
- Superior reliability with an embedded OS compared to PC-based system
- WJ-ND400 includes RSA BSAFE Cryptographic software from RSA Security Inc.

Standard Accessories

• CD-ROM*	1 pc.	• Label	1 pc.
• Installation Guide	1 pc.	• Rack Mounting Bracket	2 pcs.
• Quick Reference Guide.....	1 pc.	• Rack Mounting Bracket fixing screw ...	6 pcs.
* The CD-ROM contains the operating instructions (PDFs)		• Handle for Rack Mounting Bracket ...	2 pcs.
The following are for installation:		• Handle fixing screw for Rack Mounting Bracket.....	4 pcs.
• Power Cord (NTSC model)	1 pc.	• Washer	4 pcs.
• Power Cord (PAL model)	2 pcs.	• HDD canister.....	9 pcs.
• Key	2 pcs.	• HDD fixing Screw for HDD canister...	54 pcs.

Optional Accessory

Hard Disk Extension Unit WJ-HDE400	Power Source	: 120 V AC, 60 Hz (NTSC) 220 ~ 240 V AC, 50 Hz (PAL)
	Power Consumption:	approx. 130 W
	Dimensions	: 430 mm (W) x 132 mm (H) x 400 mm (D) (16-15/16" (W) x 5-3/16" (H) x 15-12/16" (D)) (excluding rubber feet and projections)
	Weight	: 13.5 kg (29.8 lbs.) (When no HDD exist) 20 kg (44.15 lbs.) (When 9 HDDs are installed)

Specifications

TV System	NTSC	PAL
Supported Cameras	Panasonic i-Pro series Network cameras (Contact Panasonic for BB series and Axis® cameras)	
Cameras	Supported Image Format: H.264, MPEG-4, JPEG, M-JPEG	
	Supported Image Resolution: 2,048 x 1,536, 1,280 x 960, 960 x 720, 640 x 480, 320 x 240 (Depending on the camera)	
	Supported Audio Format: G.726 (ADPCM) 32 kbps	
	Maximum Number of Cameras: 64	
Recording	Recording Mode: Manual, Schedule including Event (Pre/Post), Emergency	
	Pre-Event Recording: Up to 15 minutes with dedicated HDD for Pre-Event. Shorter Pre-Event recording is possible without dedicated HDD.	
	Scheduled Recording Mode: 8 programs, 6 time zones/day, Independent setup for each day of the week	
	Frame Rate/Camera: Up to 30 ips (Depending on the Camera)	
Browser GUI	Camera Control: Pan/Tilt, Zoom, Focus, Brightness, Preset position call and program (up to 256), Auto mode	
	REC/Playback Control: REC, PLAY, Rev PLAY, Pause, Stop, FF, REW, Prev Record, Next Record, Prev Image, Next image, Goto Date, Goto Last (5 sec. - 5 min.)	
	Search Mode: Filtered search: Time date, Event type, Camera number VMD search: one detection areas per search (works with supported i-Pro cameras and WJ-NT314)	
	Display Mode: Spot/Quad (16 patterns) / Spot Sequence / Quad Sequence (Sequence: Live only)	
	Camera Grouping: 8 groups each with 16 characters title	
	Image Download: Recorded data of selected camera and time range can be downloaded to a PC. Viewer software can be downloaded separately.	
	SD Memory Data Download: Images recorded in the SD card in the i-Pro series cameras can be transferred to the recorder automatically.	
	Copy: Recorded data of selected cameras and time date range can be copied to the COPY partition.	
	Camera Title: On the browser, Up to 16 Characters	
	Clock Display: On the browser. Time: 12 H/24 H, Date: 3 formats (YY.MM.DD, MMM.DD.YY, DD.MMM.YY)	
	Alarm Control: Reset, Suspend	
	Digital Zoom: 2x, 4x	
	System Log: Operator access (100), Network error (1,000), Error (100), Event (750)	
	System Setup: Setup page in English, French, Italian, Spanish, German, Russian, Chinese, Japanese	
	GUI Language: English, French, Italian, Spanish, German, Russian, Chinese, Japanese, Custom	
	Supported OS and Browser Combination: Microsoft® Windows® 7 Professional 64 bit/32 bit & Windows® Internet Explorer® 8.0 32 bit, Microsoft® Windows Vista® 32 bit SP1 & Windows® Internet Explorer® 7.0, Microsoft® Windows® XP Home/Professional SP3 & Windows® Internet Explorer® 6.0 The language of OS must be the same as selected GUI language.	
	Required PC	JPEG/MPEG-4 H.264 CPU: Intel® Pentium® 4 3.0 GHz or faster, RAM: 1 GB or more, VRAM: 128 MB or more (Min. 64 MB), Microsoft® DirectX® 9.0c or later CPU: Intel® Core™ i7-920 or faster, RAM: 3 GB or more, VRAM: 128 MB or more (Min. 64 MB), Microsoft® DirectX® 9.0c or later
Alarm/Event	Alarm Source	32x Terminal inputs, 64x Camera alarms, Panasonic Alarm Protocol
	Event Mode	Off / On
	Alarm Action	Alarm recording, e-mail notification, Alarm message, Camera positioning, FTP image transfer, Terminal output, Panasonic alarm protocol output, Buzzer, Indicator
	Alarm Control	Reset, Suspend
	Event log	750
Network	Network Interface	Camera port: 10Base-T / 100Base-TX / 1000Base-T (RJ-45) Client port: 10Base-T / 100Base-TX / 1000Base-T (RJ-45) Maintenance port: 10Base-T (RJ-45)
	Maximum Band Width	Total 200 Mbps
	Bandwidth Control (Client Port)	32 K / 64 k / 128 k / 256 k / 512 k / 1,024 k / 2 M / 5 M / 10 M (bps) and unlimited
	Supported Protocol	TCP/IP, UDP/IP, HTTP, FTP, SMTP, DHCP, DNS, DDNS, NTP, SNMP, RTP
	E-mail	Upon Alarm or Warning
	FTP Client	Upon alarm or Periodic transfer
	No. of Simultaneous Users	16
	User Registration	Up to 32 users
	User level	4 Levels (Programmable)
	Partitioning	User - Camera (View only, View & Control, No Access)
	Security Method	User authentication (ID and password), Host authentication (IP address), Alteration detection, HTTP Port No. (1 ~ 65,535 except for reserved numbers), FTP Port No. (1 ~ 65,535 except for reserved numbers)
External Interface	Alarm Connector (D-sub25pin)	Alarm
	Alarm/Control Connector (D-sub25pin)	Alarm: Alarm input 8 ~ 16 ¹ , 1x Alarm output ² , 1x Alarm reset input ¹ , 1x Alarm suspend input ¹ Emergency recording input ¹ , Power outage detection input ¹ , External recording mode switching ¹ , Power outage recovery completion output ³ , Time adjustment input/output ⁴ , +5 V output ⁵ Error/Warning: Network error output ² , Available disk space warning output ² , HDD error output ² , Camera error output ² , Error output ²
	External Storage	High-speed serial interface 1.5 Gbps (theoretical value) Only for WJ-HDE400 Extension Unit
Other Functions	Time Synchronization	Terminal (Master or Slave), NTP (Server/Client)
	Summer Time	User definable (using menu setup)
HDD	Type	3.5 inch Serial ATA HDD, Up to 9x HDDs can be installed.
	Maximum Capacity	54 HDD slots (with 5x WJ-HDE400 Extension Units, 9x HDDs installed in each unit)
	RAID	RAID 5/6 supported
	Partitioning	Normal / Event / Pre-Event / Copy
Viewer Software	Playback Control	Play, Rev Play, Pause, FF, REW, Prev Record, Next Record, Prev Image, Next image
	Additional Functions	Alteration detection, Save as JPEG, Two times zoom, Print
	Supported OS, Language	Same as browser GUI, Language of the software will be English
General Specifications	Safety/EMC Standard	UL (UL60065), FCC (Part15 ClassA), CE (EN60065, EN55022 ClassB, C-UL (CAN/CSA C22.2 No.60065), EN55024), GOST (GOST R 51558) DOC (ICES003 ClassA)

Trademarks and registered trademarks

- RSA and BSAFE are either registered trademarks or trademarks of RSA Security Inc. in the U.S.
- Microsoft, and Windows are registered trademarks of Microsoft Corporation in the U.S. and other countries.
- Axis is a registered trademark of Axis Communications AB.
- "Super Dynamic", "SDII", "SDIII" and "i-Pro" logos are trademarks or registered trademarks of Panasonic Corporation.

Important

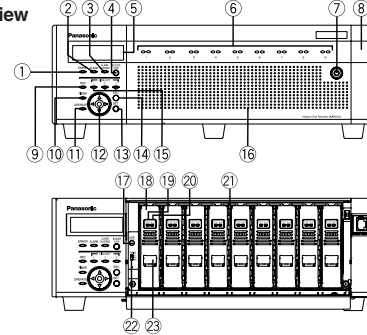
- Safety Precaution: carefully read the operating instructions and installation manual before using this product.
- Panasonic can not be responsible for network performance and/or other manufacturer products that reside on the network.

TV System	NTSC	PAL
General	Power Source: 120 V AC, 60 Hz	220 ~ 240 V AC, 50 Hz
Specifications	Power Consumption: approx. 170 W	
	Ambient Operating Temperature: +5 °C ~ +45 °C (41 °F ~ 113 °F)	
	Ambient Operating Humidity: 5 % ~ 90 % (no condensation)	
	Maximum Operating Altitude: 2,000 m (6,500 feet) above sea level	
	Dimensions: 430 mm (W) x 132 mm (H) x 400 mm (D) (16-15/16" (W) x 5-3/16" (H) x 15-3/4" (D)) (excluding rubber feet and projections)	
	Weight: 13 kg (28.6 lbs.) without Canister and HDD 20 kg (44.1 lbs.) with 9 HDDs	

*1: Non-voltage make contact, +5 V pull-up 150 Ω *2: Open collector output, 24 V max., -100 mA
*3: High (+5 V ~ +12 V, 6.3 mA maximum) *4: 52 kΩ, 5 V pull-up, -100 mA / make contact *5: 200 mA at maximum

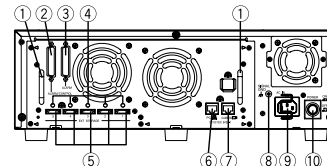
Part Names and Functions

Front View



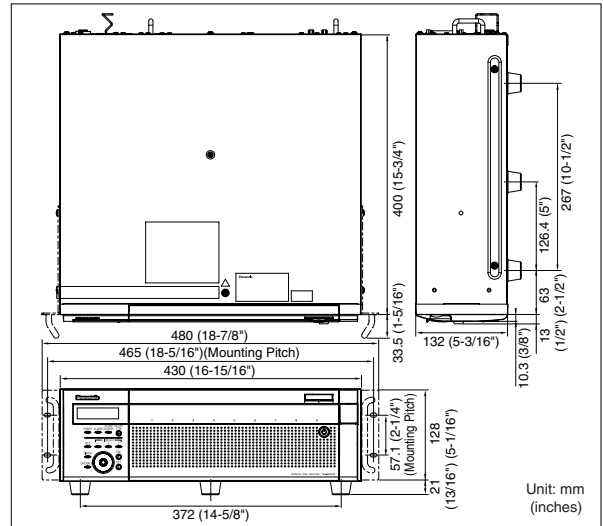
- ① Error Indicator
- ② Alarm Indicator
- ③ Alarm Suspension Indicator
- ④ Buzzer Stop Button
- ⑤ LCD
- ⑥ HDD Indicators
- ⑦ Key Hole
- ⑧ Maintenance Port
- ⑨ Recording Indicator
- ⑩ Timer Indicator
- ⑪ Operate Indicator
- ⑫ Arrow Buttons
- ⑬ SET Button
- ⑭ Escape Button
- ⑮ Link Indicators
- ⑯ USE Button
- ⑰ HDD Unit
- ⑱ HDD Status Indicator
- ⑲ HDD Access Indicator
- ⑳ HDD Bay Slots
- ㉑ RAID Mode Switch
- ㉒ Removal Knob
- ㉓ Front Cover

Rear View



- ① Handle for Maintenance
- ② Alarm/Control Connector
- ③ Alarm Connector
- ④ Cable Clamp Fixing Holes
- ⑤ External Storage Connector
- ⑥ Client PC Port
- ⑦ Camera Port
- ⑧ Signal GND Terminal
- ⑨ Power Cord Inlet
- ⑩ Power Switch

Appearance



- All TV pictures are simulated.
- Weights and dimensions are approximate.
- Specifications are subject to change without notice.
- All product pictures are NTSC models.

DISTRIBUTED BY:

Panasonic®

<http://panasonic.net/security/>

Printed in Japan (2A-036EL)