



**PS•Data**

The Panasonic WV-CU360C System Controller is designed to control Panasonic's dome cameras through WJ-MP204C Data Multiplex Unit or the WJ-FS309/WJ-FS316/WJ-FS409/WJ-FS416 Video Multiplexers.

The WV-CU360C System Controller enables control of the camera lenses, electronic zoom, auto-focus and pan/tilt heads. It also enables selection of the camera by numeric buttons through the WJ-MP204C Data Multiplex Unit.

The WV-CU360C System Controller enables two types of passwords for both Login and Set-up menus. This highly advanced video surveillance system controller delivers optimum performance at a competitive price.

## Key Features

The WV-CU360C System Controller enables the following key functions.

- Camera selection
- Alarm (LED/Suspend/Recall/Reset)
- Setup menu

**Remote control of the Panasonic dome camera series via PS•Data Link mode through WJ-MP204C.**

- Camera functions: Super Dynamic II /Electronic Shutter/Electronic Sensitivity/Automatic Gain Control/Site Alarm
- Lens function: Iris/Focus/Auto Focus/Zoom
- Housing: Defroster/Wiper/Auxiliary 1 & 2
- Pan/Tilt: slow Pan/slow Tilt/Auto Pan/Auto Sort/Auto Sequence/Random Pan/Preset/Home, and finely turned panning/tilting (WV-CS854A only)

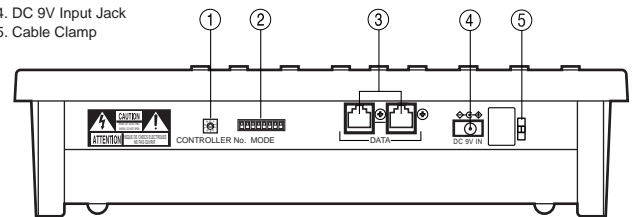
**Remote control of the WJ-FS309/FS316/FS409/FS416 Video Multiplexers via Panasonic Security Data (PS•Data ) Link mode.**

Multiscreen/Multiscreen Sequence/Multiscreen Sequence Stop/  
Multiscreen Pause/Multiscreen Backward Sequence/Multiscreen Forward Sequence/Forward step/Reverse step/Display Mode  
(Multiscreen/Still)/Monitor Selection

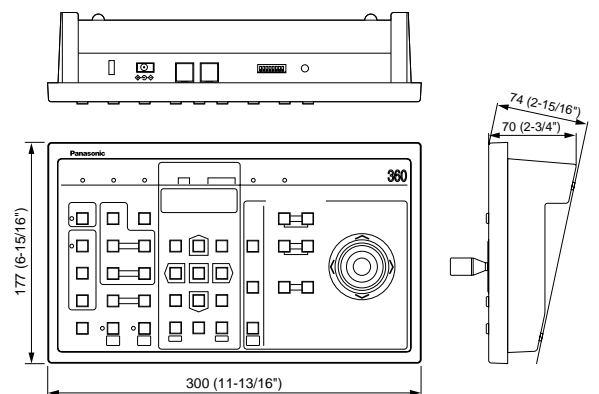
**Remote control of the System850 and WJ-SX350 Matrix System via RS485 communication Data.**

## Rear View

1. Controller Number switch
2. Mode Selection switches
3. Data Ports
4. DC 9V Input Jack
5. Cable Clamp

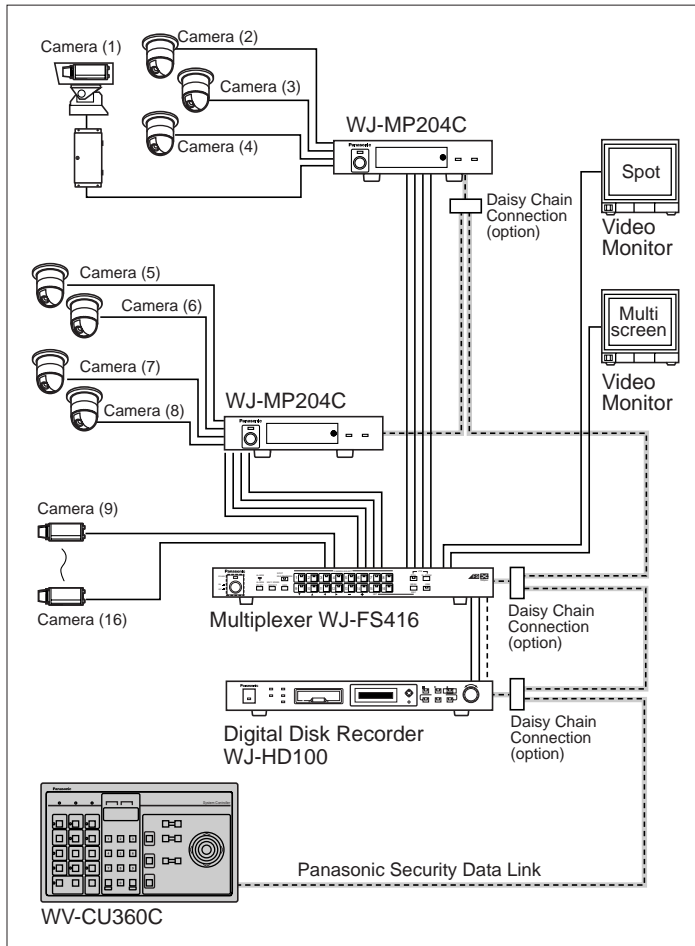


## APPEARANCE



Unit: mm (inches)

## SYSTEM EXAMPLE



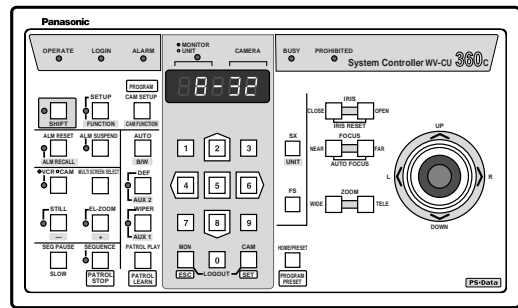
## SPECIFICATIONS

<b>Power Source</b>	9V DC, 400mA (Use the supplied AC adapter only.)
<b>Power Consumption</b>	10W
<b>Data Output/Input Port</b>	6-conductor modular jack (RS-485, Full Duplex)
<b>Switching Functions (WJ-MP204)</b>	Camera selection
<b>Switching Functions (WJ-FS309/FS316/FS409/FS416)</b>	Monitor Selection/Switching of Live and Playback/Changing of the number of the Multiscreen Picture/Still/Electronic Zoom/Sequence
<b>Controller Number</b>	1-8 (Rotary Switch)
<b>Unit Address Selection</b>	1-99
<b>Monitor Number Selection</b>	1-99
<b>Camera Number Selection</b>	1-199
<b>Camera Main Control</b>	Camera Setup Camera Function
<b>Lens Functions</b>	Iris: Open/Close/Preset (only with DC control lens) Focus: Near/Far/Auto Focus Zoom: Wide/Tele
<b>Housing</b>	Defroster: On/Off Wiper: On/Off Auxiliary 1: On/Off Auxiliary 2: On/Off
<b>Pan/Tilt</b>	Manual Pan: Right/Left Manual Tilt: Up/Down Auto Pan, Auto Sort, Auto Sequence, Random Pan, Preset Position, Home Position, Camera Patrol
<b>System Operation</b>	Camera selection Alarm (Display/Suspend/Recall/Reset) Setup
<b>Ambient Operating Temperature</b>	-10°C - +50°C (14°F - 140°F)
<b>Ambient Operating Humidity</b>	Less than 90%
<b>Dimensions</b>	300 (W) x 74 (H) x 177 (D) mm [11-13/16" (W) x 2-15/16" (H) x 6-15/16" (D)]
<b>Weight</b>	1.3kg (2.9 lbs.)

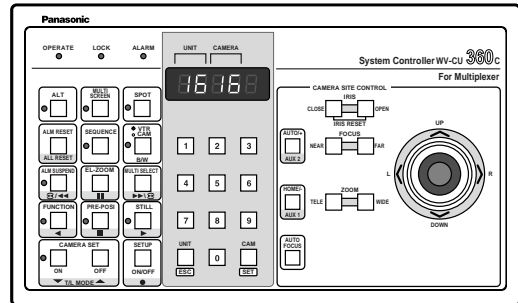
AC Adapter...1pc 6-conductor Modular Cable Assembly...1pc

## OPERATION SHEETS

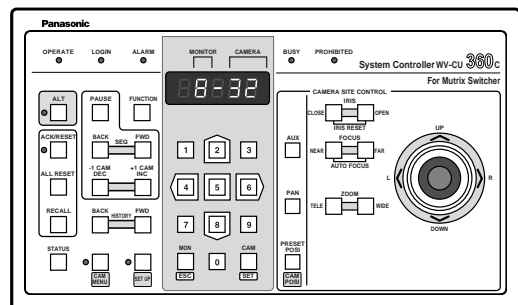
### for PS-DATA



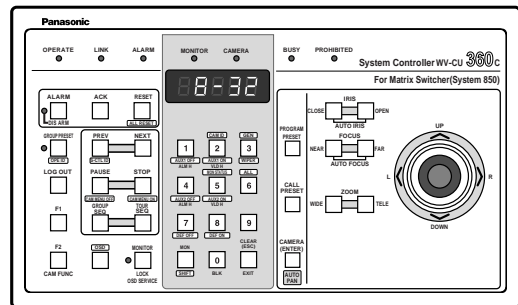
### for WJ-FS616C



### for WJ-SX350



### for WJ-SX850 (Matrix System850)



• Weights and dimensions are approximate. • Specifications are subject to change without notice. • These products may be subject to export control regulations.

# Panasonic

Panasonic Security & Digital Imaging Company  
A Division of Matsushita Electric Corporation of America

Security Systems Group

Executive Office : One Panasonic Way 3E-7, Secaucus, New Jersey 07094

Zone Office  
Eastern : One Panasonic Way, Suite 3E-7, Secaucus, NJ 07094 (201) 348-7303  
Western : 6550 Katella Ave., Cypress, CA 90630 (714) 373-7840

<http://cctv.panasonic.com/>

DISTRIBUTED BY:

PANASONIC CANADA INC.

5770 Ambler Drive, Mississauga, Ontario, L4W 2T3 Canada (905) 624-5010

PANASONIC SALES COMPANY

DIVISION OF MATSUSHITA ELECTRIC OF PUERTO RICO, INC.

San Gabriel Industrial Park 65th Infantry Ave. KM. 9.5 Carolina, P.R. 00985 (809) 750-4300

Printed in Japan  
WV-JHCU360T(2P-468C)